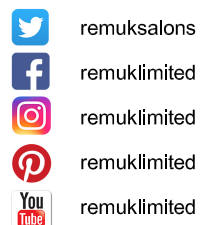


Aqua Washpoint  
04580 / 04581  
Edition 1-2018



Glenfield Road,  
Nelson, Lancashire  
BB9 8AW  
T: +44 (0)1282 619 977  
F: +44 (0)1282 619 617  
E: sales@rem.co.uk  
W: www.rem.co.uk

Made in Britain 



Aqua Washpoint  
04580 / 04581  
Edition 1-2018

**Product Name:** Aqua Washpoint Pedestal Range

**Product Type:** Wash Unit

**Product Codes:**

- 04580 - Aqua Pedestal Backwash
- 04581 - Aqua Pedestal Frontwash
- 04582 - Aqua Link Unit

**Standard Equipment:**

- Backwash - Sumo basin including pre-plumbing (flexi waste)
- Frontwash - Frontwash basin including pre-plumbing (flexi waste)
- Monobloc mixing valve and hand spray
- Unique water saving shower head

**Optional Equipment:**

- Basin neck cushion (backwash)
- Bottle trap
- Hair trap
- Link unit

**Main Construction:**

- Body: Steel column Zintec anti-rust treated and finished in epoxy powder coated silver paint.
- Basin: Porcelain

**Finish:**

- Body: Epoxy powder silver paint.
- Frontwash Top: Laminated in any colour from the REM range.
- Any laminate from the REM range.

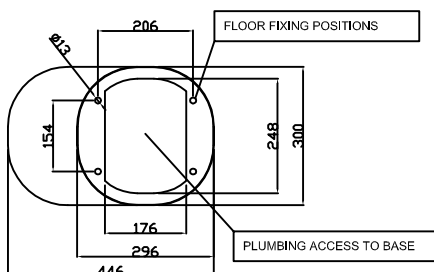
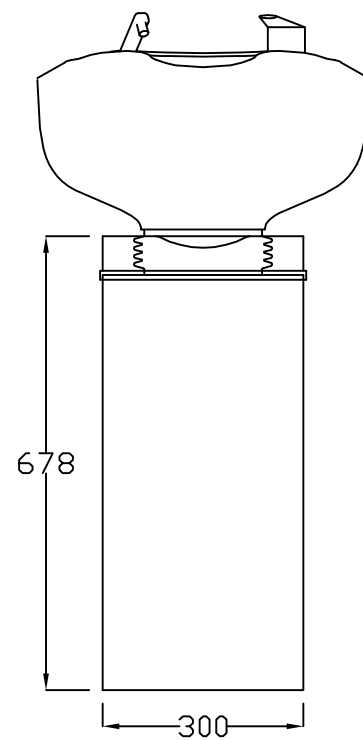
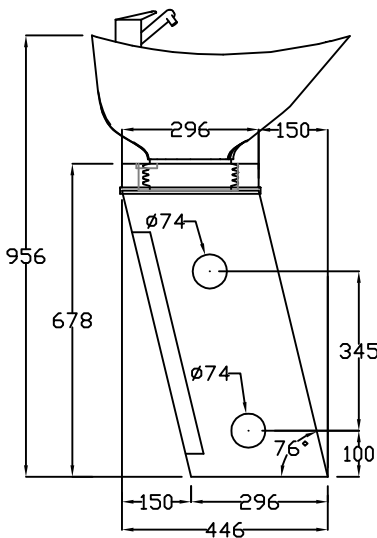
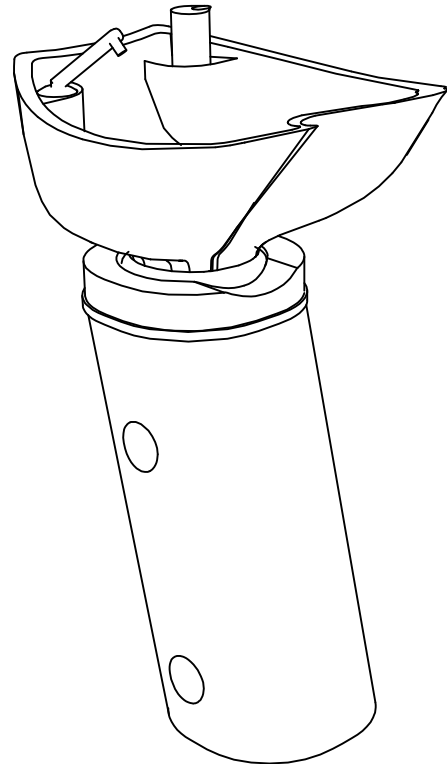
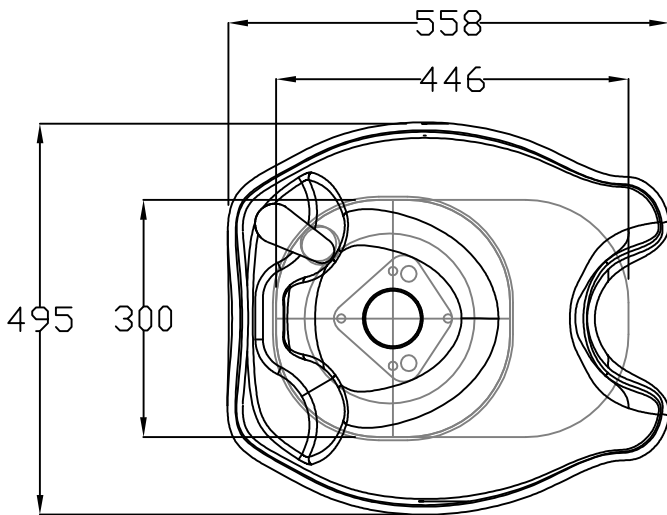
**Features:**

- Matching front & back wash pedestals
- Link unit available
- Choice of any REM laminates
- Can be joined to REM Cascade & Baltic wash units using Aqua Link.



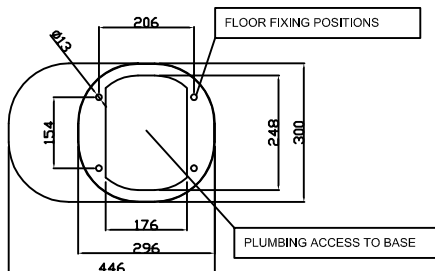
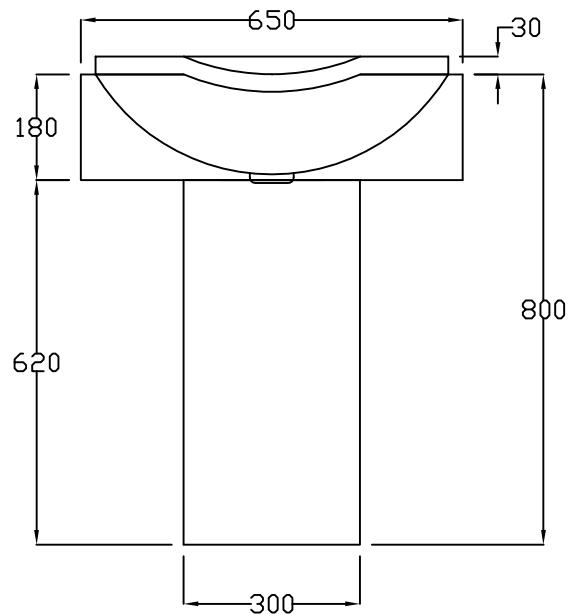
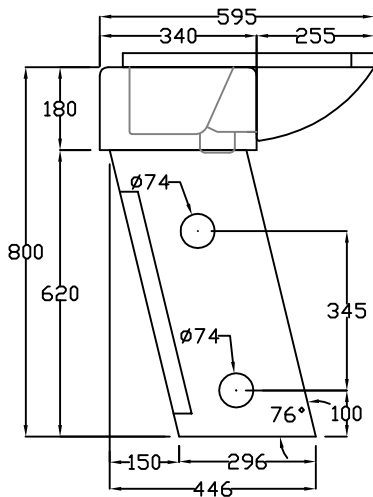
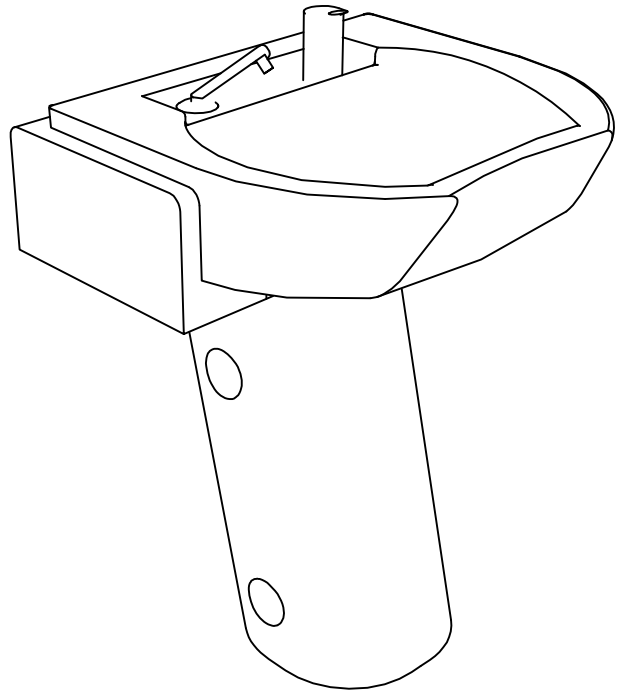
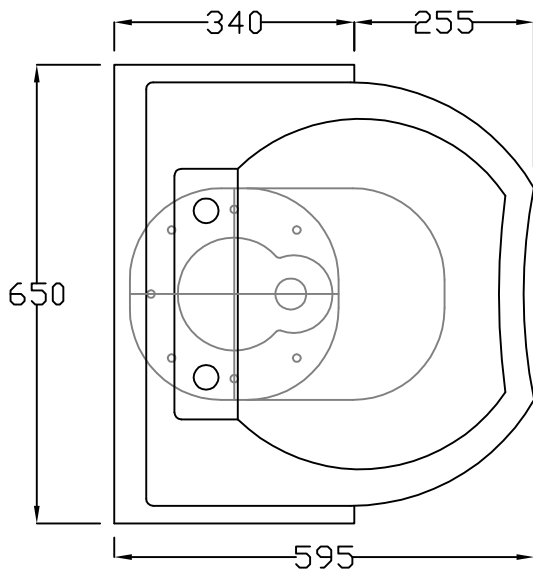
Aqua Backwash Washpoint  
04580  
Edition 1-2018

NOTE: sizes may vary slightly from shown



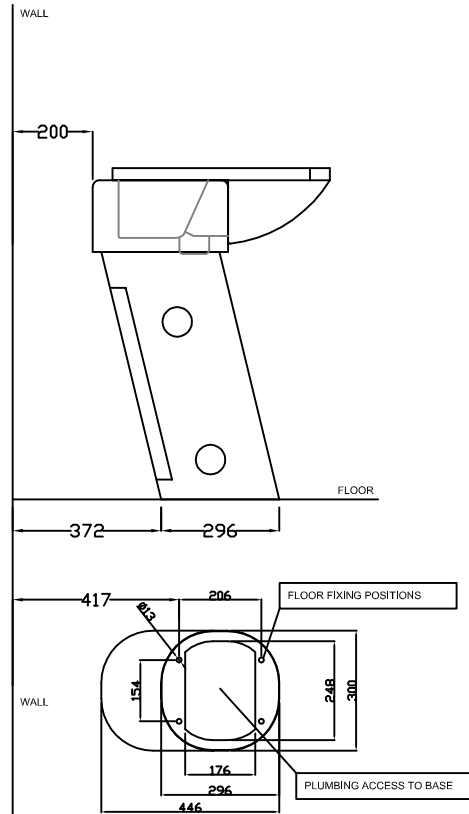
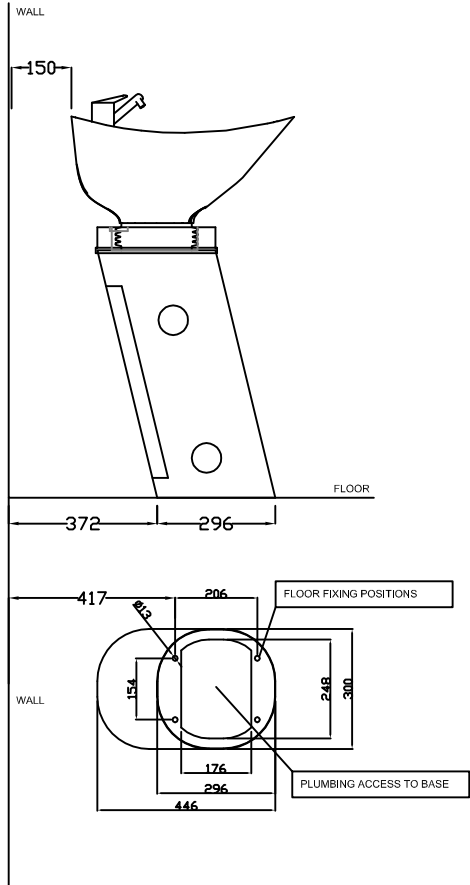
Aqua Frontwash Washpoint  
04581  
Edition 1-2018

NOTE: sizes may vary slightly from shown

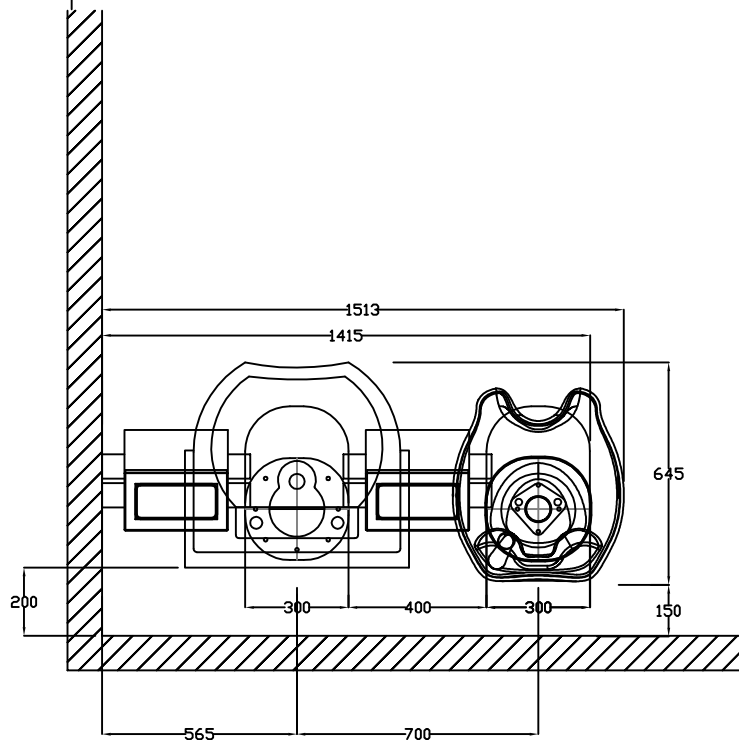
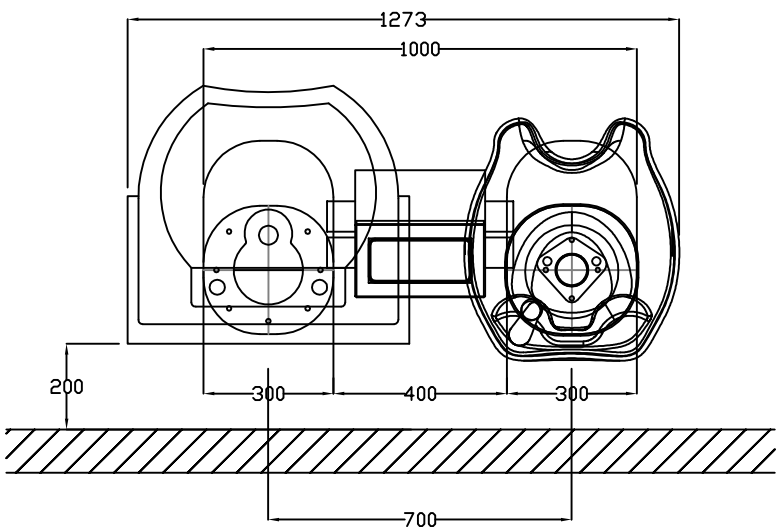


Aqua Washpoint  
04580 / 04581  
Edition 1-2018

NOTE: sizes may vary slightly from shown

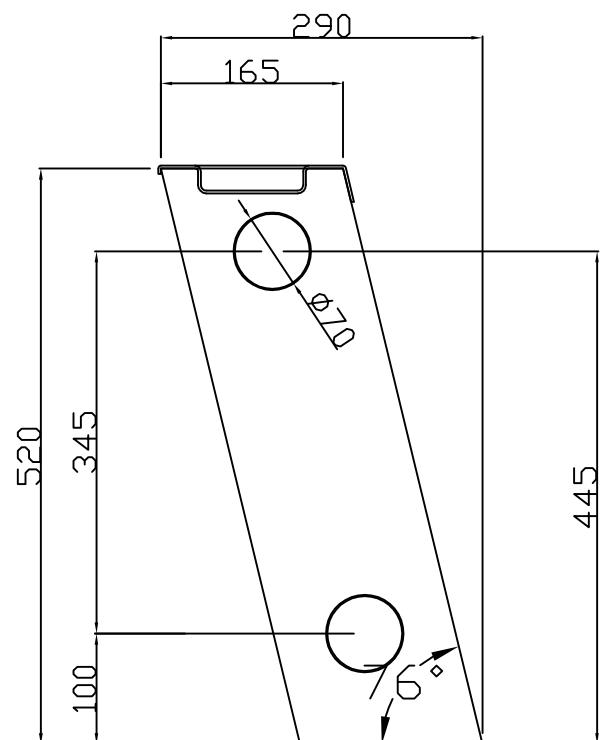
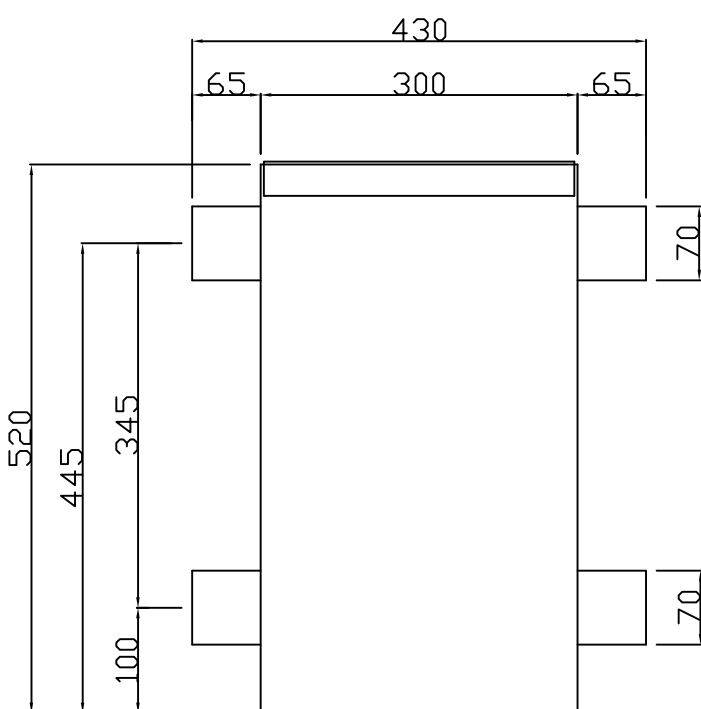
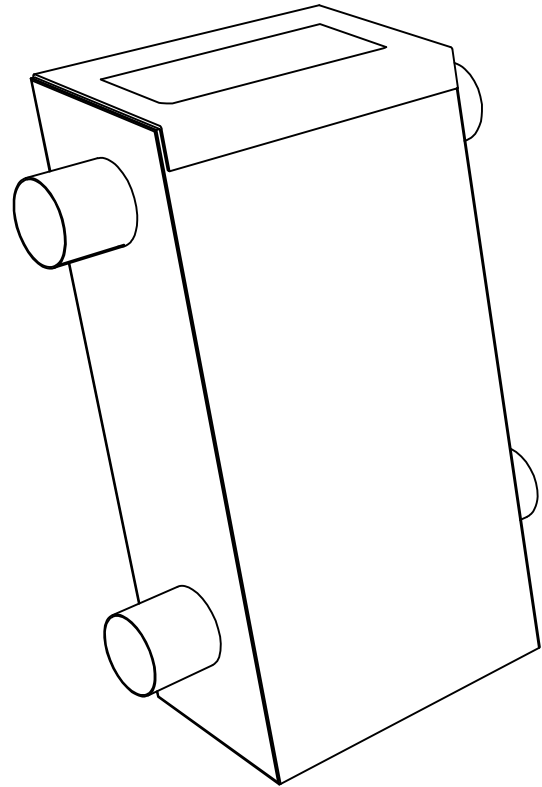
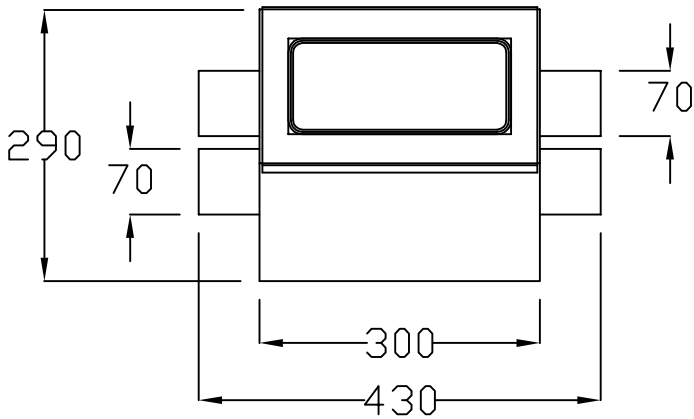


Minimum dimensions from wall for Aqua  
Pedestal Backwash & Frontwash  
04580 / 04581

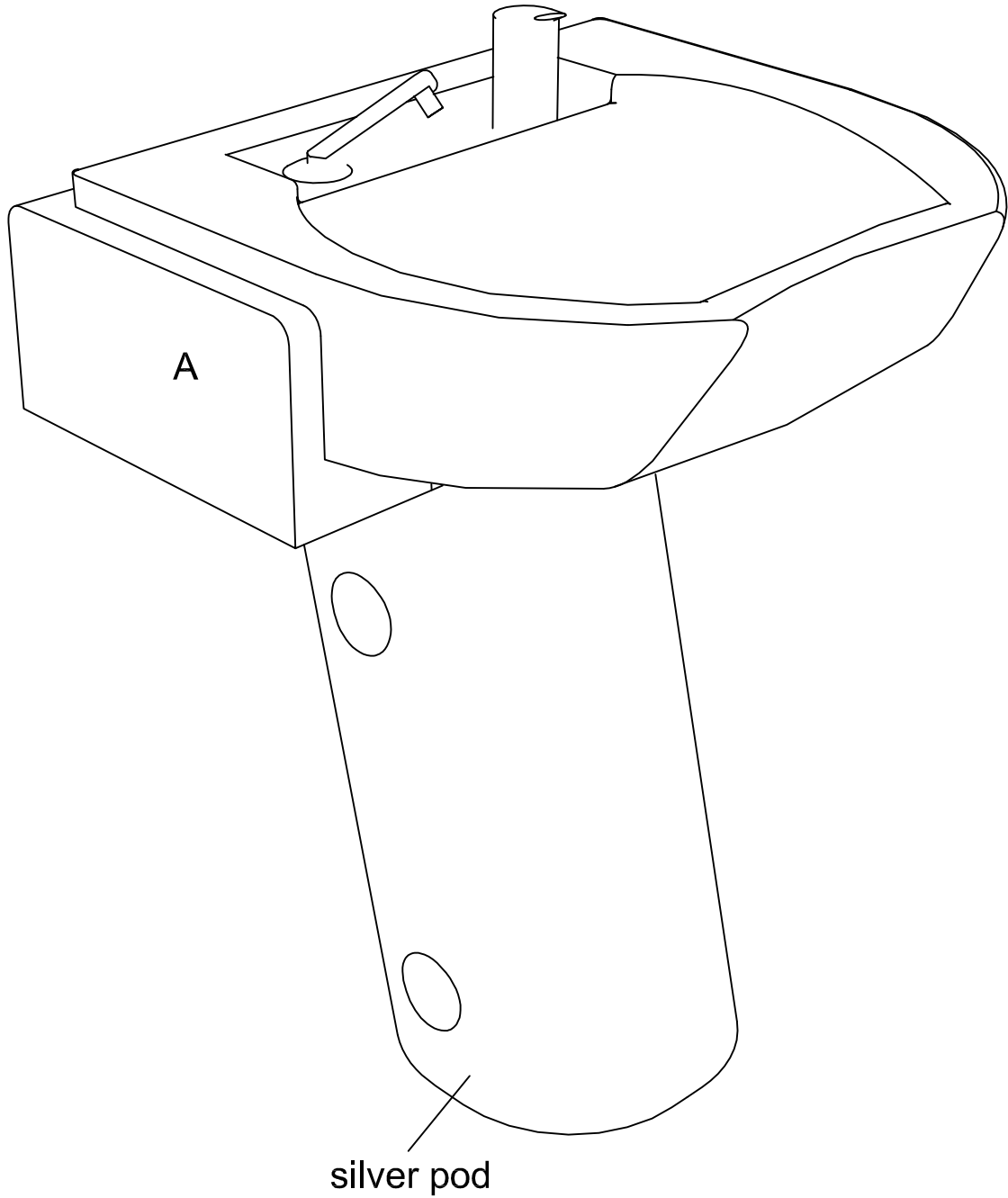


Aqua Washpoint Link  
04582  
Edition 1-2018

NOTE: sizes may vary slightly from shown



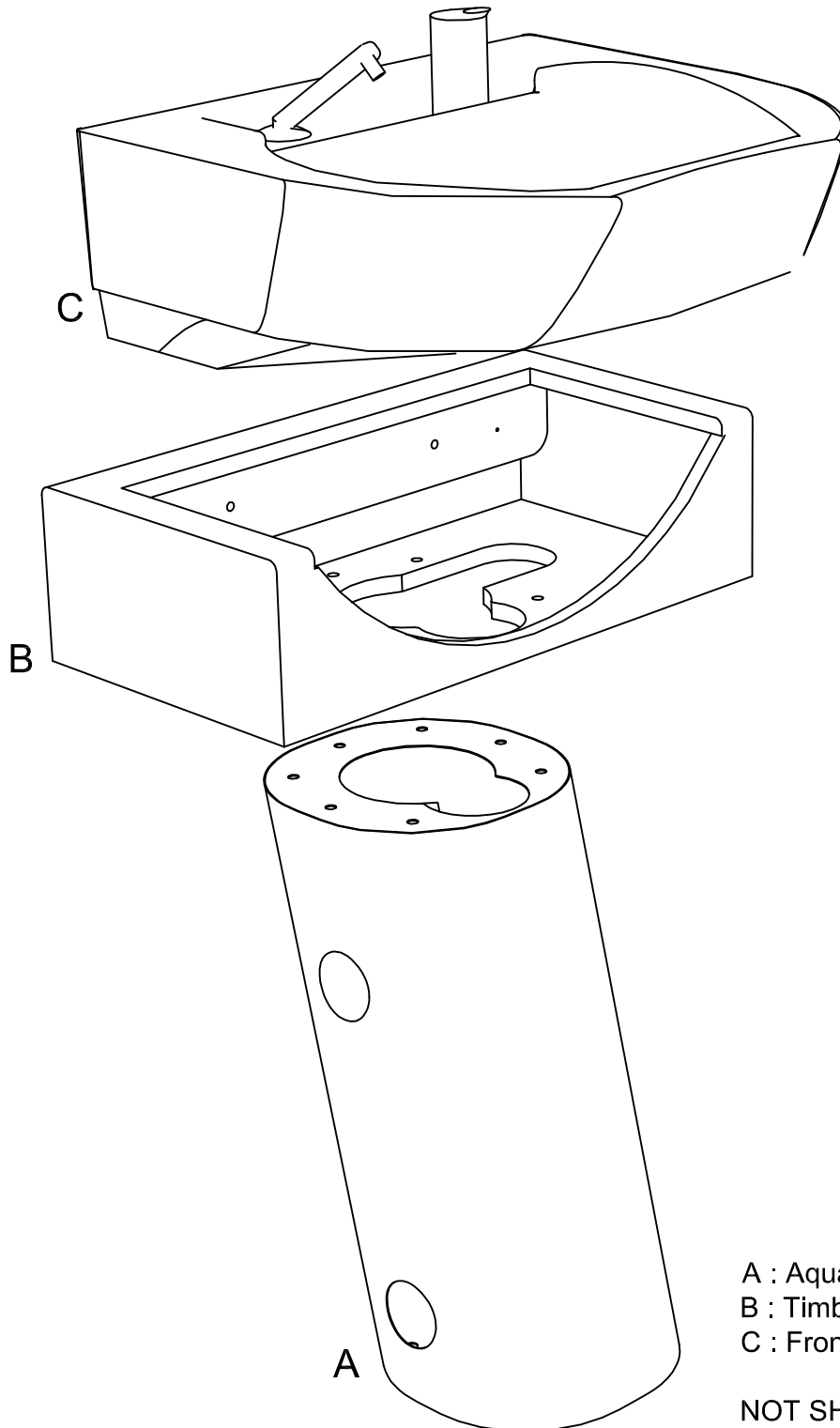
Aqua Frontwash Washpoint  
04581  
Edition 1-2018



A = Laminate

Optional extras must be clearly detailed at time of order.

Aqua Frontwash Washpoint  
04581  
Edition 1-2018

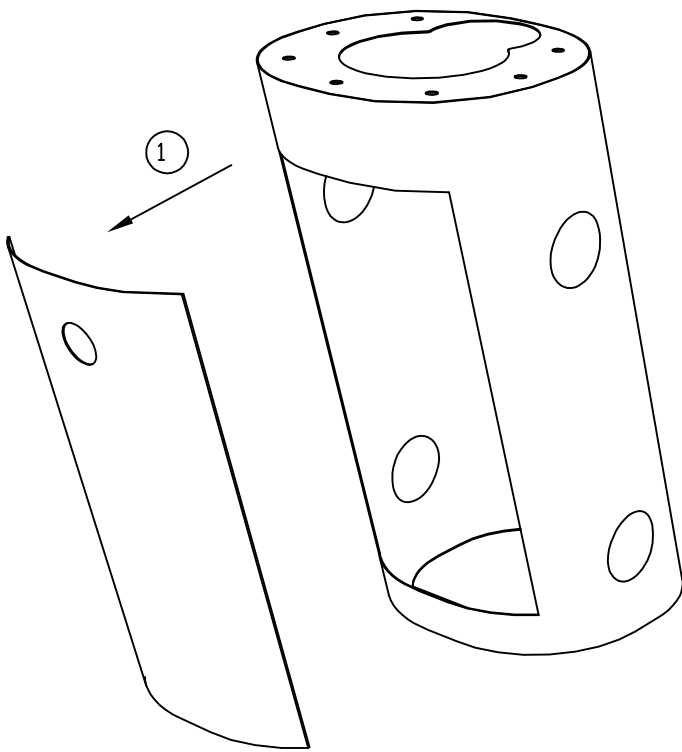


A : Aqua Pod (including rear door)  
B : Timber Top Section  
C : Front Wash Basin

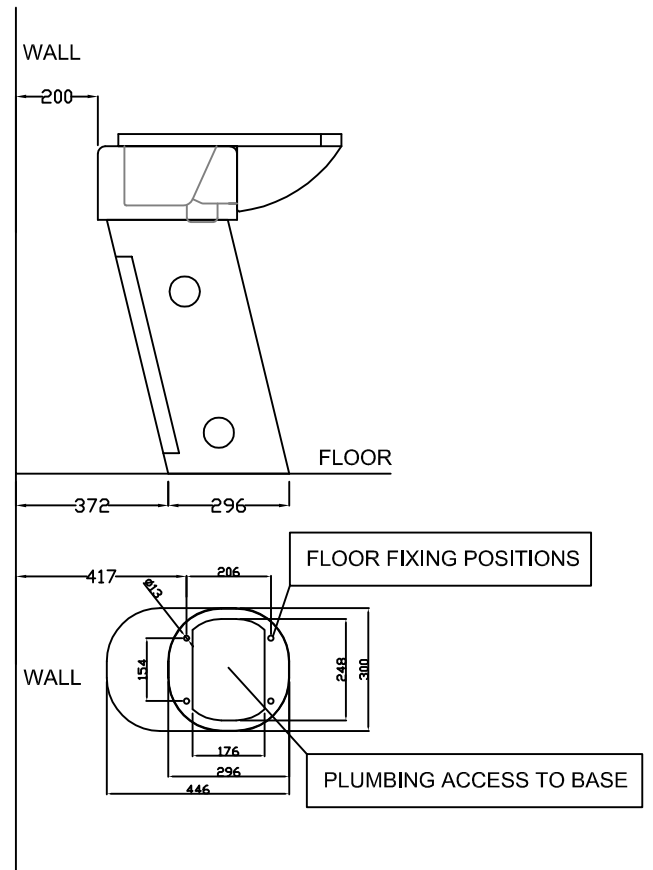
**NOT SHOWN:**

D : 25mm M8 Bolts x 5  
E : Small Washers x 5  
F : 100mm M8 Threaded Bar x 2  
G : Rubber Washers x 2  
H : Large Washers x 2  
I : M8 Nuts x 2



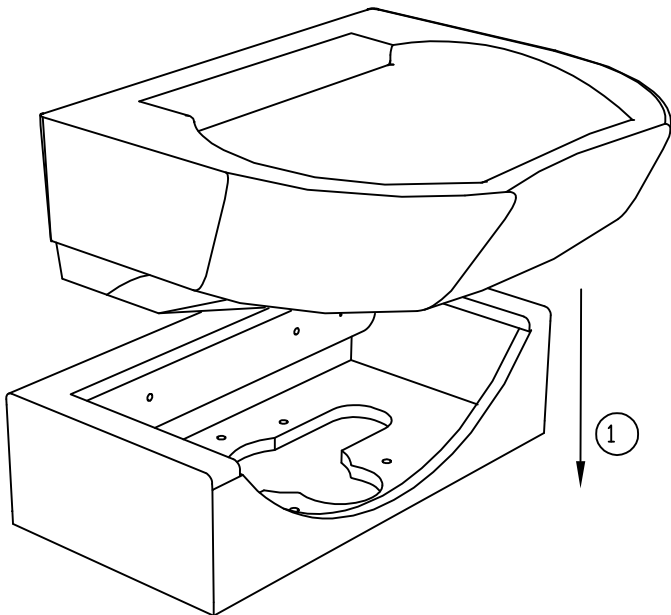


1. Carefully unwrap components and ensure all pieces are in order. Unscrew and remove rear door [1].

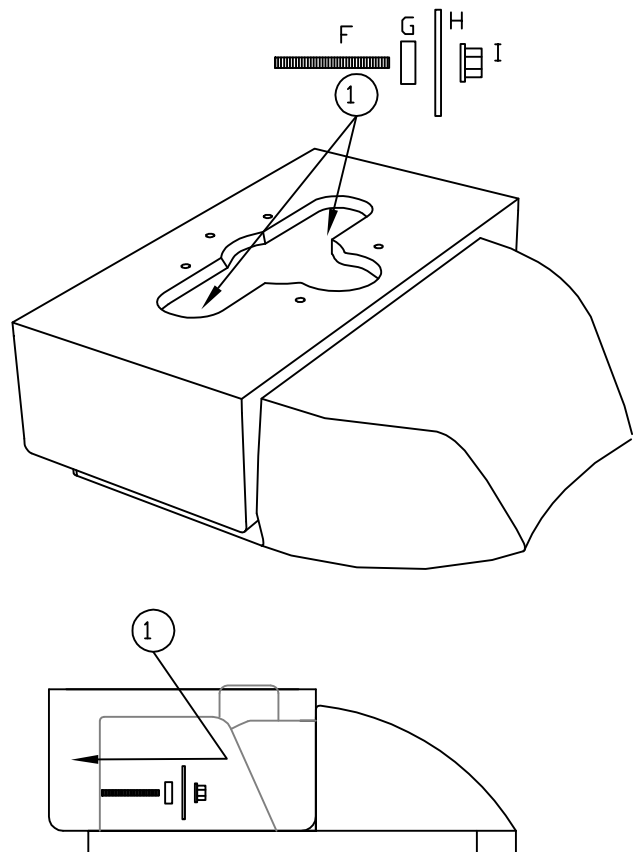


2. Secure Aqua Pod (A) to floor, dimensions above show fixing positions in order to position unit minimum distance of 200mm from wall, adjust if required.

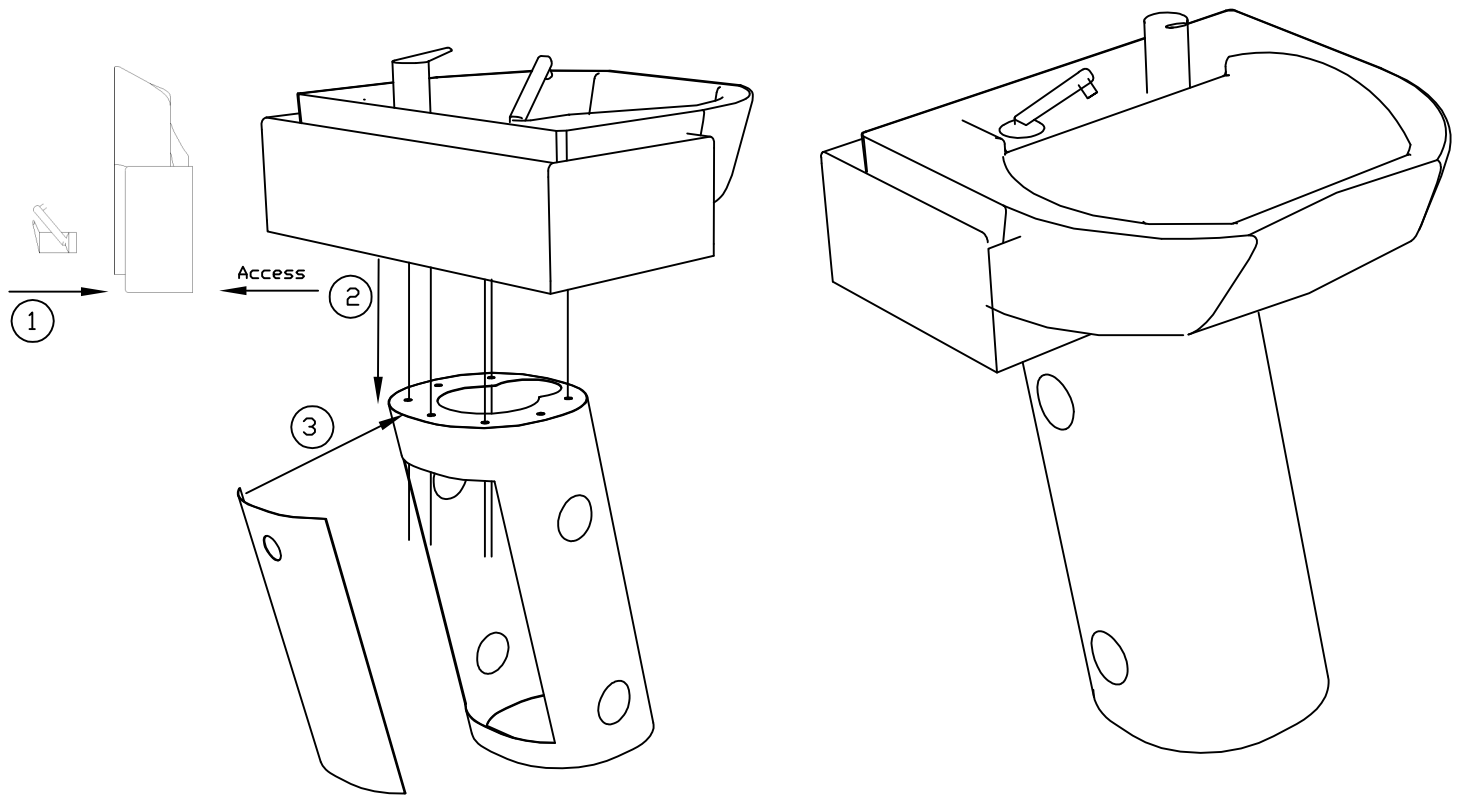
NOTE: no fixings provided, floor dependant



3. Carefully lower Basin (C) onto Timber Top (B) [1].



4. Carefully flip over and secure Basin (C) into position: Screw threaded bars (F) through holes in underside of basin into inserts inside Timber Top (B), slide on rubber washers (G) and large washers (H) and tighten using M8 nuts (I) [1].

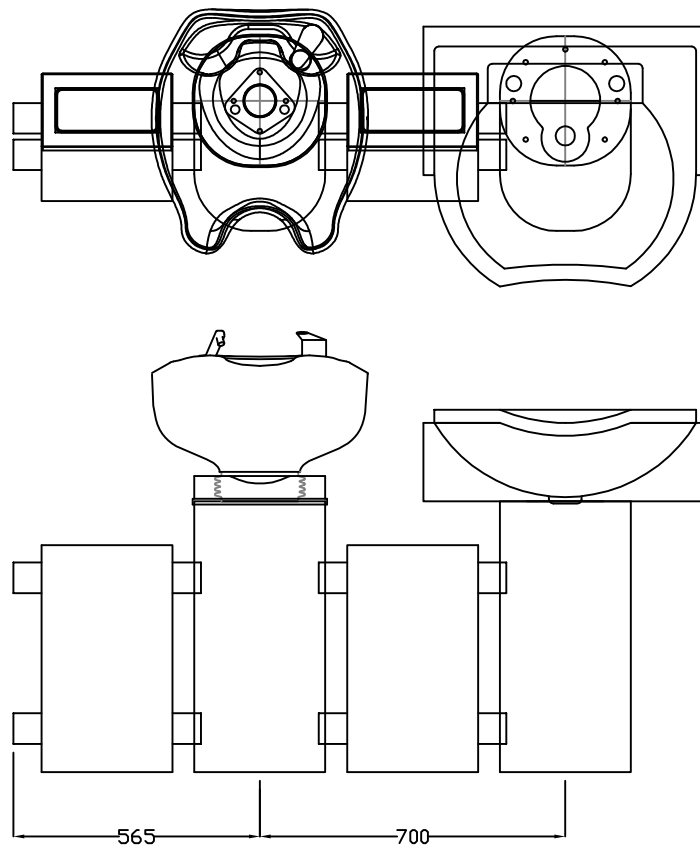


5. Please see Basin Installation Instructions and Monobloc Installation Instructions supplied separately and install, it is easier to install if top section is tilted onto back so access can be gained from both sides [1].

Carefully lower Top and Basin onto pod, secure into position from inside pod using 25mm M8 Bolts (D) and Small Washers (E) [2].

Complete plumbing. Re-attach rear door [3].

6. Unit complete.



#### FIXING MULTIPLE WASHPOINTS AND LINK UNIT

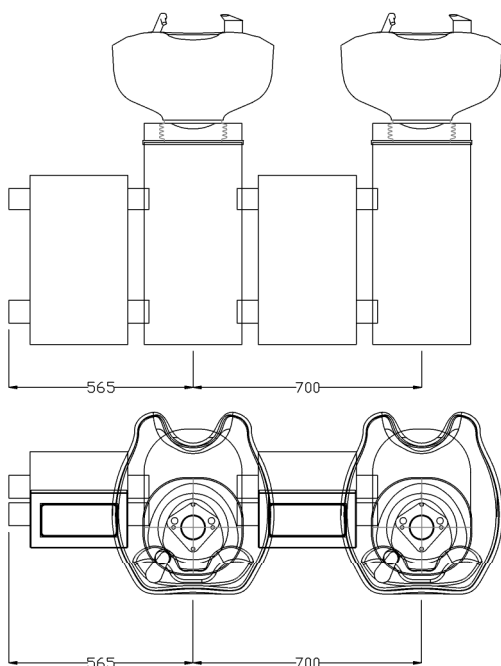
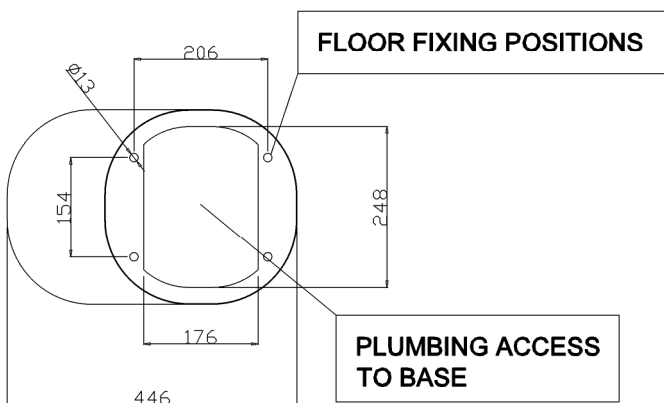
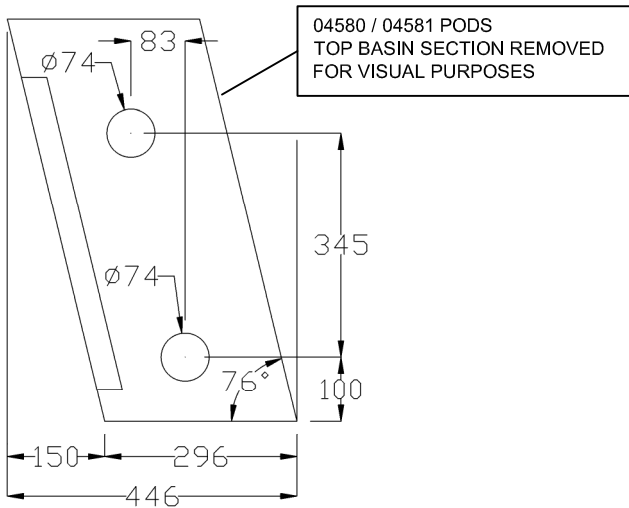
When fitting more than one Aqua Pedestal (04580 or 04581) it is recommended there is a 700mm gap between washpoint centres.

The optional link unit (04582) will fit in between two units set this distance apart.

The rear door on the link unit can be removed to gain access to internals and the link can be fixed to the floor via 2 fixing points to the rear corners of the base (fixings not supplied).

All pedestals and links should be securely fixed in position before any plumbing work commences.

Aqua Washpoint  
04580 / 04581  
Edition 1-2018



## FLOOR FIXING AND WASTE PIPE HOLES

The Aqua Backwash (04580) and Frontwash (04581) units contain identical sized pedestal sections.

Unscrew the rear access panel to gain access to internals.

The Aqua Backwash and Frontwash pedestals fix to the floor via 4 fixings points to the corners of the base of pedestals (fixings not supplied).

The open section to base can be used to allow waste water pipes and water feeds to exit the wash points, also, the two large holes in sides of pedestals can be punched out to allow waste water pipes and water feeds to exit the wash points.

Please see Basin Installation Instructions and Monobloc Instructions supplied separately.

## FIXING MULTIPLE WASHPOINTS AND LINK UNIT

When fitting more than one Aqua Pedestal (04580 or 04581) it is recommended there is a 700mm gap between washpoint centres.

The optional link unit (04582) will fit in between two units set this distance apart.

The rear door on the link unit can be removed to gain access to internals and the link can be fixed to the floor via 2 fixing points to the rear corners of the base (fixings not supplied).

All pedestals and links should be securely fixed in position before any plumbing work commences.

Sumo / Kiko  
04952 / 04982  
Edition 1-2018

A package of component parts may be found to contain:

- A Mixer Valve
- B Black Rubber 'O' (sealing) Ring
- C Half-Moon Washer
- D Brass Rod (slotted one end for fitting purposes)
- E Brass Lock Nut
- F Hand-Spray Hose (female fittings)
- G Hand-Spray (male fittings)
- H Black Sleeve
- I Chrome Collar
- J White Rubber Washer
- K Black Lock Nut

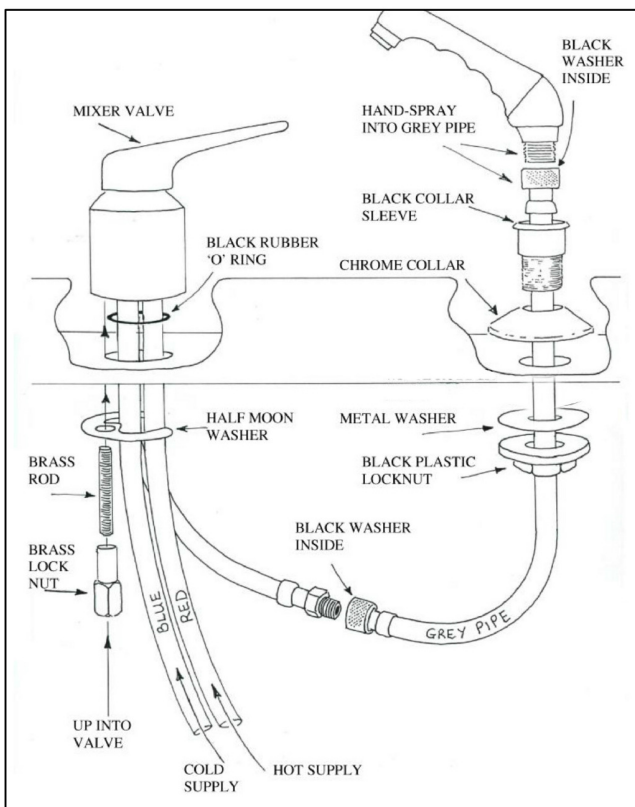
### IMPORTANT NOTICE

Salon owners should be advised to engage the services of a qualified plumber when installing wash points, not least, to ensure that there is adequate mains water pressure available, particularly where 2 or more units are in operation.

Occasionally, in low water pressure areas, a pump may be required. As a guide the water pressure should be between 1.75 - 2.5 BAR equal pressure per outlet.

- i) When fitting Mixer Valve, ensure Black Rubber 'O' Ring is correctly seated in groove in underside of Valve body. A small application of Silicone (or similar) may be required, as a supplement to the sealing ring, between the Valve body and the Basin.
- ii) The Half-Moon Washer should be fitted with the ridged surface facing downward.
- iii) Fit the Brass Rod and Lock-Nut but tighten only after making sure that the Valve Lever is parallel to the rear of the basin (in 'off position')
- iv) Check both ends of the Hand-Spray Hose to ensure that there is a black rubber washer in place in each one.
- v) Screw Hand-Spray into one end of Hose and feed other through Black Sleeve, Chrome Collar, and Basin. Position White Rubber Washer and Black Lock Nut on Hose before connecting other end to Valve outlet hose.
- vi) Tighten the whole assembly only when Hand-Spray is seated correctly in the sleeve and points over the Basin towards the Waste outlet.

**N.B. Care should be taken here to avoid scoring, or otherwise marking the Basin surface, due to the downward pressure of the Chrome Collar. (Holding the Hand-Spray in the correct position whilst tightening the assembly is the best way to carry out this operation)**



### OTHER NOTES

Ensure adequate Hot & Cold balanced supply to meet requirements of all units being fitted. Minimum 2.5 Bar per outlet Pump(s) may be required in Low Pressure Areas.

Please ensure that the hose and handspray are tightened mechanically, by the use of plumbers grip or similar. REM recommend the use of a sealant tape (such as PTFE tape) between the two components

Avoid use of detergents when cleaning leathercloths. (Soap and water should be adequate).

REM guarantee all Units against manufacturing fault only, for a period of twelve months.

The terms of this guarantee do not affect your Statutory Rights.

## **WARNINGS**

- Whilst the assembly of these units is fairly straight forward, it is recommended that the fitting of the Waste (and any Monobloc Valve where ordered) is carried out by a qualified plumber
- An application of silicone or similar may be required between the basin and waste.
- REM recommend the fitting of the basin AFTER the Wash Point pods have been installed.
- REM recommend the use of a Basin Neck Cushion, available from REM (04923) to reduce the risk of VERTEBROBASILAR SYNDROME (Beauty Parlour Syndrome)
- It is crucial that any client is positioned in the Wash Units with the Basin correctly adjusted.

## **Plumbing Details**

Included:

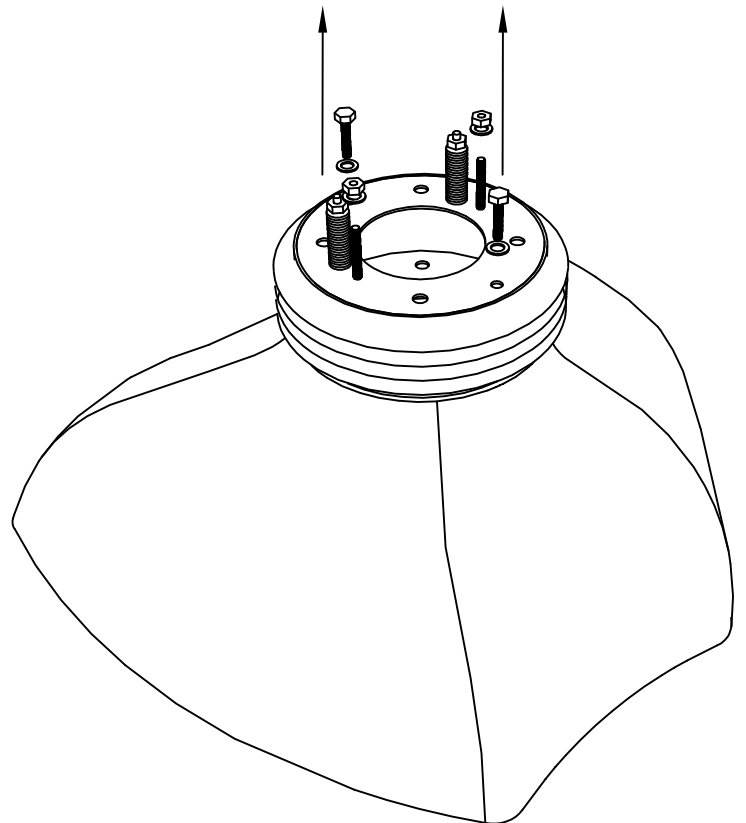
Hot & cold flexi pipe  
- to fit 15mm copper pipe

Flexi Waste

- 1 ¼ (32mm)

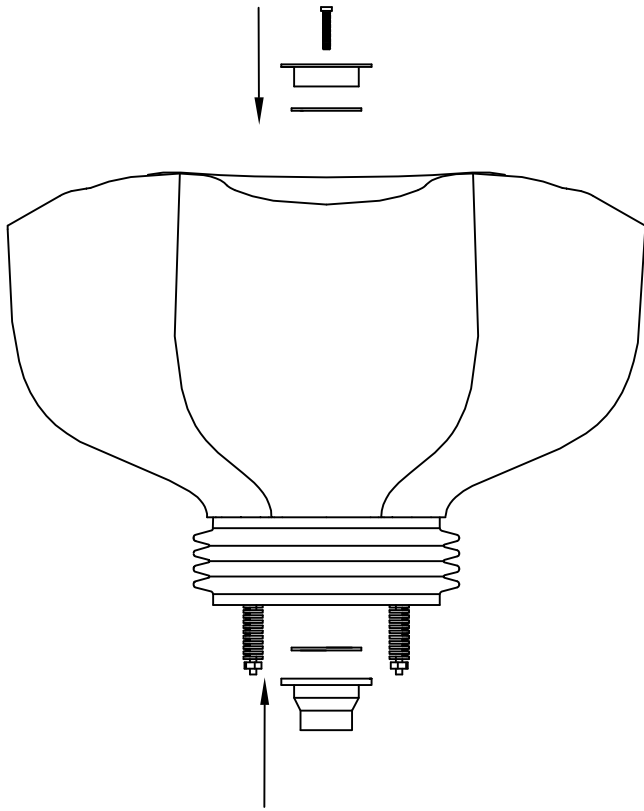
Optional Extra:

Bottle Trap A10A  
- 1 ¼ (32mm)

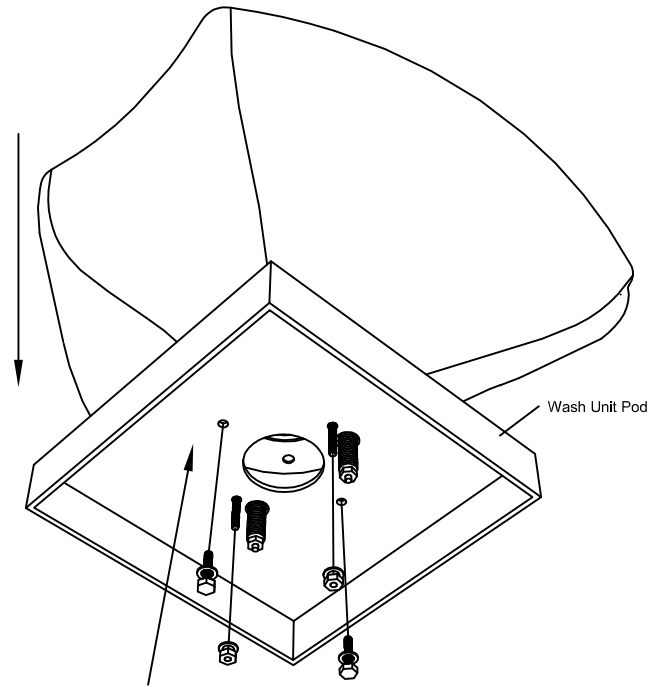


1. Carefully unwrap components and ensure all pieces are in order. REM recommend the fitting of the basin AFTER the Wash Point pods have been installed.

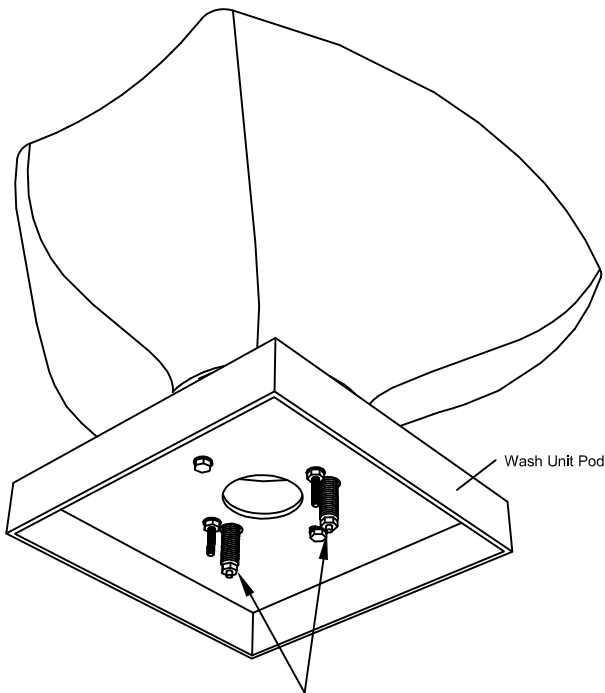
2. Remove 2 bolts and 2 nuts along with washers from underside of tilt mechanism, these fixings are required later. NOTE: DO NOT ADJUST OR MOVE SPRING TENSION BOLTS AT THIS POINT.



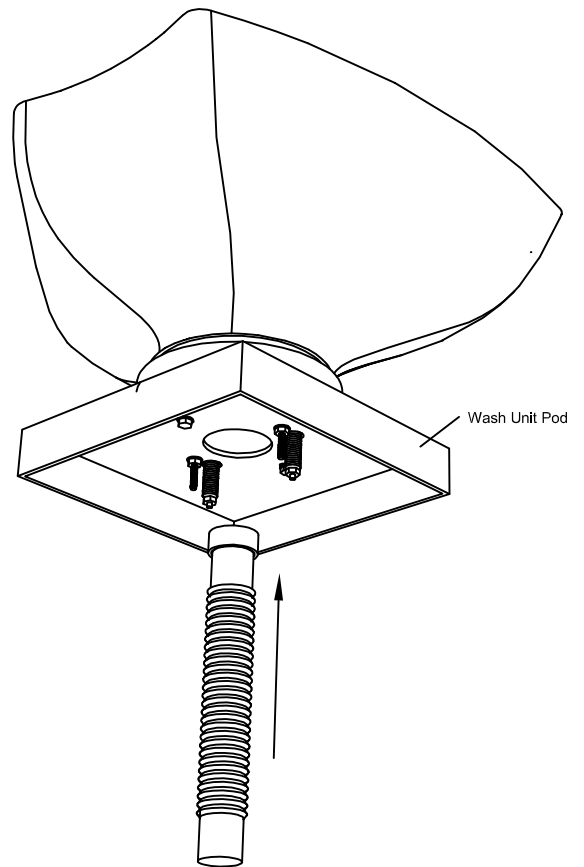
3. Fit basin waste as detailed in order above.



4. Carefully lower basin through cutouts in top of wash point cabinet ensuring basin is pointing forwards. Fix into place using bolts, screws and washers previously removed in stage 2.



5. The tension of the basin tilt mechanism can be adjusted by tightening or loosening the spring tension bolts (1).  
**WARNING: DO NOT ADJUST BY MORE THAN 2 FULL TURNS IN EITHER DIRECTION.**



6. Attach the flexi-waste pipe to the underside of the basin. Attach bottle trap (04922 - if purchased) to the flexi-waste pipe (bottle trap not shown).

## **Fabrics:**

### **DECLARATION OF CONFORMITY OF CERTAIN FIRE RETARDANCY STANDARDS.**

BS 7176 is the British Standard which specifies the requirements for the resistance to ignition of upholstered furniture manufactured for seating or similar usage, but excluding use on domestic furniture or transport seating. Tests have been carried out on all REM products and fabrics in accordance to BS EN 1021-1: 2006 and BS EN 1021-2: 2006 which satisfy the performance requirements of Low Hazard Category of BS 7176 (resistance to ignition sources: Smouldering Cigarette and Match Flame Equivalent).

Typical examples of furniture that are required to meet the Low Hazard Category are Schools, Colleges, Offices, and Day Centres.

All of the cloths the REM swatch are available on the majority of REM products and meet the Medium Hazard Category (Public Buildings, Restaurants, Hotel Bedrooms, Hospitals etc) of BS 7176 which is similar to the above but also includes the Ignition Source 5 test of BS 5852: 2006.

It should be noted also, that whilst the test levels for the various hazard categories are set after careful consideration of the particular end-user environments involved, they are not intended to reflect the behaviour of the upholstery in a fully developed fire. A label is available for use on items produced in accordance with this standard, although there is no legal requirement to attach said label. These can be supplied on request at the time of ordering (printed to suit Low and Medium Hazard Only).

All products are subject to availability. REM reserves the right, without further notice, to alter the material specification of our products, if necessary to provide the highest levels of product quality.

## **Laminate:**

Each laminate shown in the REM swatch has been carefully selected from the Polyrey, Wilsonart & Egger Quality Collections of high pressure laminates (HPL). They can all be postformed (with the exception of Alu Brosse), and are suitable for commercial use. Please note that Matt Black has a tendency to fine scratching and finger marks when applied to horizontal working surfaces.

REM has made every effort to ensure that the Laminates presented in our swatch book are as the original. All products are subject to availability. REM reserves the right, without further notice, to alter the material specification of our products, if necessary to provide the highest levels of product quality.

Please ensure that you discuss any queries with our technical staff. For more colour ideas visit [www.rem.co.uk](http://www.rem.co.uk).

## **NOTE**

REM declines all responsibility for any injury to persons or damage to property caused by installation or assembly that has not been carried out in compliance with the general warnings, and the installation instructions of the pole/base and/or wall arm. REM declines all responsibility for any injury to persons or damage to property caused by installation or assembly carried out by non-qualified persons. REM declines all responsibility for injury or damage resulting from the unsuitability of the wall for the wall hood processor and arm only.

## **Environmental Protection**



The crossed-out wheeled bin symbol which you will find on the Rating Plate attached to your product, or appearing in the Assembly/Operating Instructions, signifies an obligation by you as purchaser or owner, to dispose of the equipment in accordance with the European Directive 2002/96/EC. This is a statutory instrument commonly known as the 'WEEE Regulations', which effectively requires you to carry out disposals of all Electrical and Electronic Equipment separately from your usual waste facilities. Specialist waste controls, designated by the Government (or Local Authorities) are to be made available to prevent potentially harmful substances affecting the environment and causing a possible human/animal health risk.

More detailed information is available from your local Environmental Health Office, Local Authority Waste Disposal Service, or the sales point from which the product was originally purchased.

REM's Producer Registration Number is **WEE/BJ0066TW**

## Guarantee

All REM products are supplied with a 3 Year Warranty from the date of purchase.

- *This Warranty Covers* any product defects arising from faulty materials or workmanship; or defects arising from transport damage. It is important to note that damages must be reported within 72 hours.
- *This Warranty Does Not Cover* any problems arising from damage caused by misuse, failure to install correctly, damage caused during 3rd party transportation and storage, or fair wear and tear.
- *This Warranty extends for a period of three years from date of purchase.* Customers must retain their receipt from the supplying REM Distributor as proof of purchase.
- *Throughout the first year of the warranty period* REM will, at its discretion, repair or replace defective products with both parts and labour covered under full warranty.
- *During the second and third year of the warranty period* REM will supply parts required for the repair free of charge but will not be responsible for any labour charges incurred to carry out the repair. These charges are the responsibility of the Customer.
- *REM will not be responsible for* any associated costs of refitting or reinstalling any products which have been replaced nor will it be responsible for any costs incurred arising from the non-availability of its products awaiting repair or replacement.
- *Should any problems arise with your REM product* please use the REM Support Link which is found at <http://www.remsupport.co.uk/>. The Customer Service Team can also be contacted at [customerservice@rem.co.uk](mailto:customerservice@rem.co.uk).
- *This three year warranty in no way affects your statutory rights* and is intended as an additional safeguard and benefit for buying and using REM products.

## REM Returns Policy

All defects arising from faulty materials or poor workmanship; or defects arising from transport damage will be returned to REM at no cost to the customer.

Where REM agree to replace a product, the replacement item will be charged to the customer's account. The returned unit will be credited in full once it has been received back at REM. In cases where the reported fault cannot be found, no credit will not be authorised.

Unwanted goods, or items not meeting customer requirements; which are free from the defects listed above and in its original packaging will be considered for credit by a duly appointed representative of REM. A minimum charge of £60 will apply and will be communicated before the returns order is processed.

**Please ensure that you discuss any queries with our technical staff:**

**www.rem.co.uk**

**sales@rem.co.uk**

**customerservice@rem.co.uk**

**+44(0) 1282 619 917**